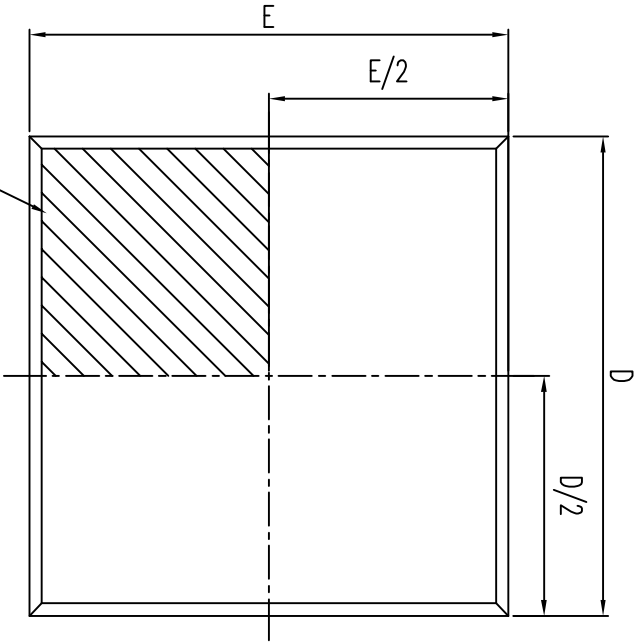
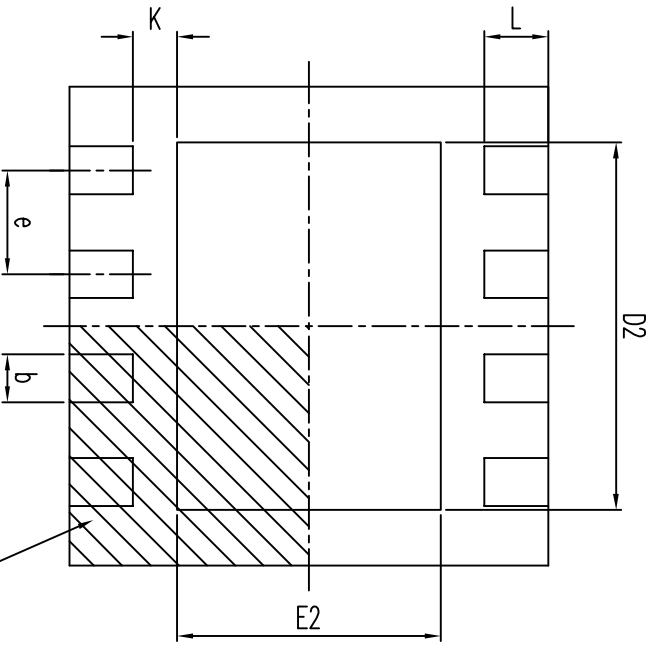


REV.	DESCRIPTION	BY	DATE
ORIG.	DRAWING ISSUE	SANDY CHEN	12.18.2014

TOP VIEW



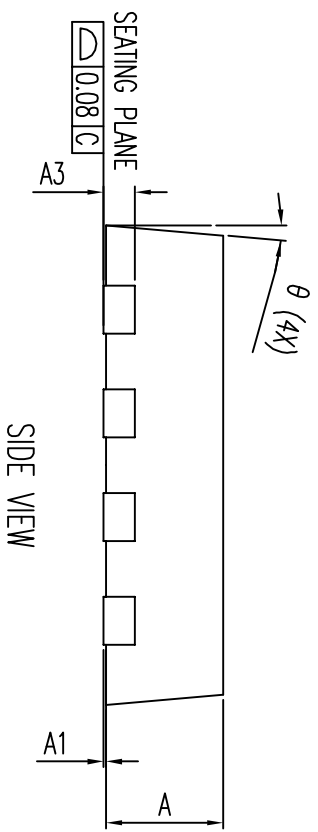
BOTTOM VIEW



TERMINAL #1
INDEX AREA
(D/2 X E/2)

TERMINAL #1
INDEX AREA
(D/2 X E/2)

SYMBOL	DIMENSION IN MM		
	MIN.	NOM.	MAX.
A	0.70	0.75	0.80
A1	0	0.02	0.05
A3	0.20 REF.		
D	3.00 BASIC		
D2	1.60		2.50
E	3.00 BASIC		
E2	1.35		1.75
e	0.65 BASIC		
b	0.25	0.30	0.35
L	0.30	0.40	0.50
K	0.20		
θ	0°		14°
JEDEC	MO-229 (Variation W3030C-2)		



SIDE VIEW

		Chant World Technology Inc.	
TITLE WDN 8L PACKAGE OUTLINE BODY SIZE : 3 X 3 X 0.75 MM		<input type="checkbox"/>	<input type="checkbox"/>
DESIGNED	SANDY CHEN 12.18.2014	XXXXXX ±0.005 XXXXXX ±0.035 XXXXXX ±0.1 XX ±0.2	ANGULAR ± ROUGH- NESS SCALE 30 : 1
CHECKED	SANDY CHEN 12.18.2014	UNIT FILE NAME : WDFNBL(3x3x0.75)	QTY AS
APPROVED	SANDY CHEN 12.18.2014	DWG. NO.: CW-PV-002A	